



GIANT UMBRELLAS  
AND ADVERTISING  
UMBRELLAS

# PALMA

**Perfect – the classic one!**

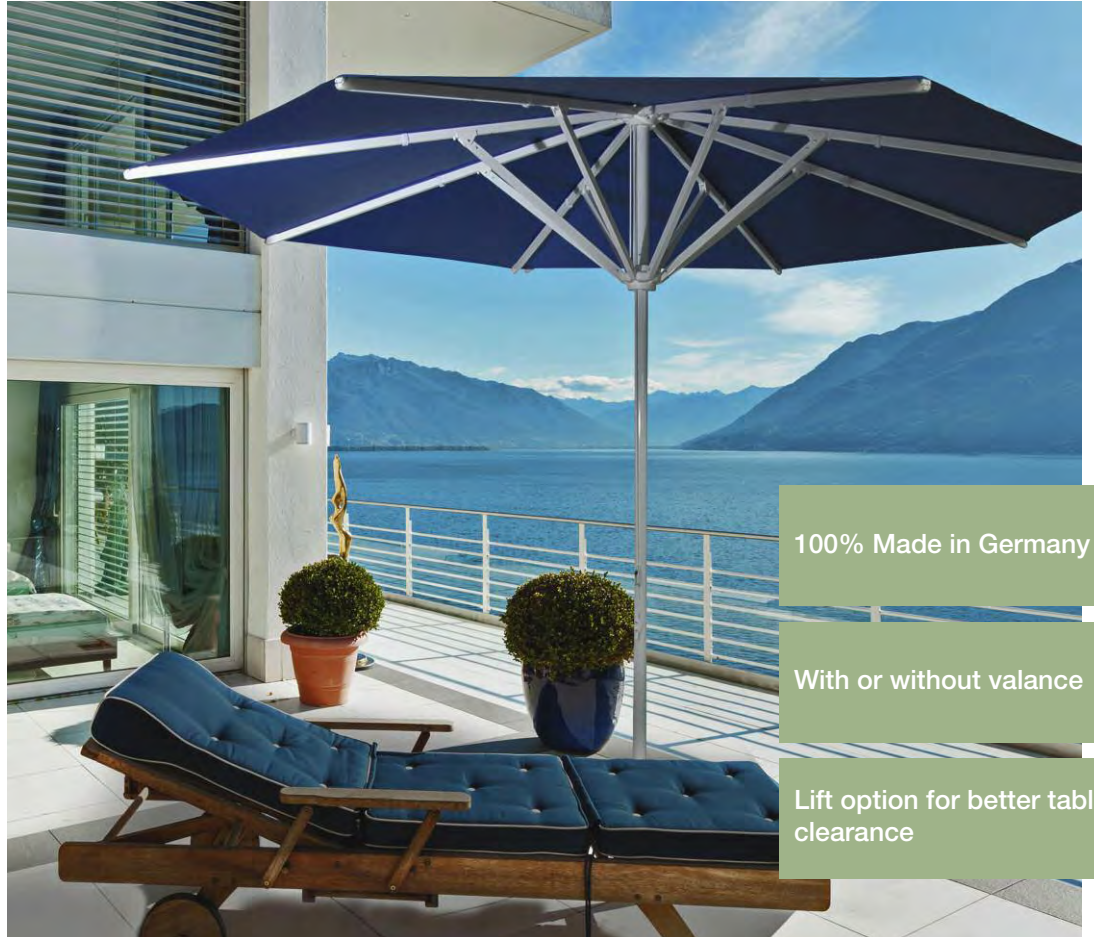
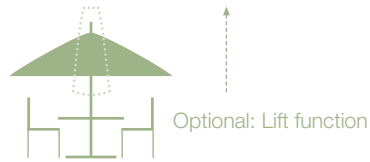
Giant umbrella in the best quality – 100% made in Germany.

We offer an optional telescopic system.

On closing, the canopy slides upwards and remains above table height.



 <ul style="list-style-type: none"> <li>• UPF 40+</li> </ul>										
	400 White	412 Nature	401 Yellow	406 Dark Green	404 Dark Blue					
 <ul style="list-style-type: none"> <li>AIRTEX®</li> <li>UPF 80+</li> <li>Waterproof</li> <li>Made in Germany</li> </ul>										
	229 White	230 Nature	225 Sisal	231 Yellow	228 Orange	232 Cherry red	246 Terracotta			
										
	235 Moss green	234 Lagoon	233 Blue	238 Nickel grey	224 Dark Grey	239 Black				
 <ul style="list-style-type: none"> <li>• AGORA</li> <li>• UPF 50+</li> <li>Water resistant</li> <li>Made in Germany</li> </ul>										
	924 White	929 Beige	911 Beige-mél.	912 Brown-mél.	938 Grey	910 Grey-mél.	940 Anthracite	909 Anthra-mél.	939 Black	
										
	926 Yellow	933 Lime	928 Green	937 Taupe	927 Red	930 Terra	923 Mid blue	941 Denim	925 Dark blue	



100% Made in Germany

With or without valance

Lift option for better table clearance

Sizes	● Ø 300	● Ø 350	● Ø 400	● Ø 430
	■ 200 x 200	■ 250 x 250	■ 300 x 300	■ 350 x 350
	■ 280 x 220	■ 350 x 250	■ 400 x 300	

**Frame** Market umbrella in aluminium, white RAL9016 or silver RAL9007 powder-coated, 1-part pole Ø 50 mm, screw connections

**Lift:** Palma Lift closes upwards and guarantees a closing height above 75 cm. A coil spring makes operation easier.

**Covers**

**BASIC** 100% polyester, UPF 40+, resistance to fading 5-6

**PREMIUM** 100% polyester, Airtex®, UPF 80+, resistance to fading 7-8  
Designs Airtex® complete collection

**PREMIUM** 100% polyacrylics, dope dyed, Teflon®, UPF 50+,  
resistance to fading 7-8  
Designs Agora complete collection



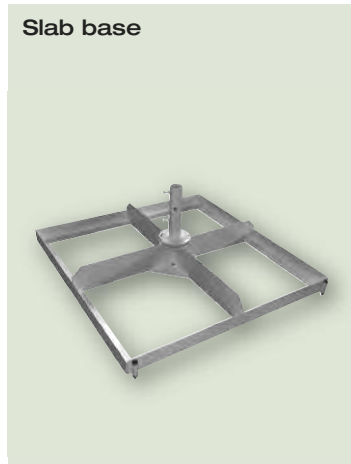
GIANT UMBRELLAS  
AND ADVERTISING  
UMBRELLAS

## PALMA

**The quality is in the detail!** The Palma umbrella range has a maintenance-free mechanism, as the pulley is integrated into the runner and crown. Screw connections make it easier to change ribs and covers if required.



Covers in Agora with elegant zips at the rib ends



**Recommended accessories for Palma**

- Ground tube  
Premium version galvanised or powder-coated to install flush with the ground without trip hazard edge.
  - Umbrella bases  
Concrete or granite bases.
  - Slab base  
For 8 slabs 50 x 50 x 5, Premium version galvanised or powder-coated
  - Umbrella lock  
Secure lock with metal pin for attaching to the umbrella stand or ground tube
  - Gutters  
Incl. metal rod for stability, fabric quality Premium Airtex®
  - Protective covers  
Standard: Universal in 100% Polyester, colour brown-beige or gravel grey  
Premium: Option for version in Airtex® Designs
- (Pictures and details of accessories from page 57)